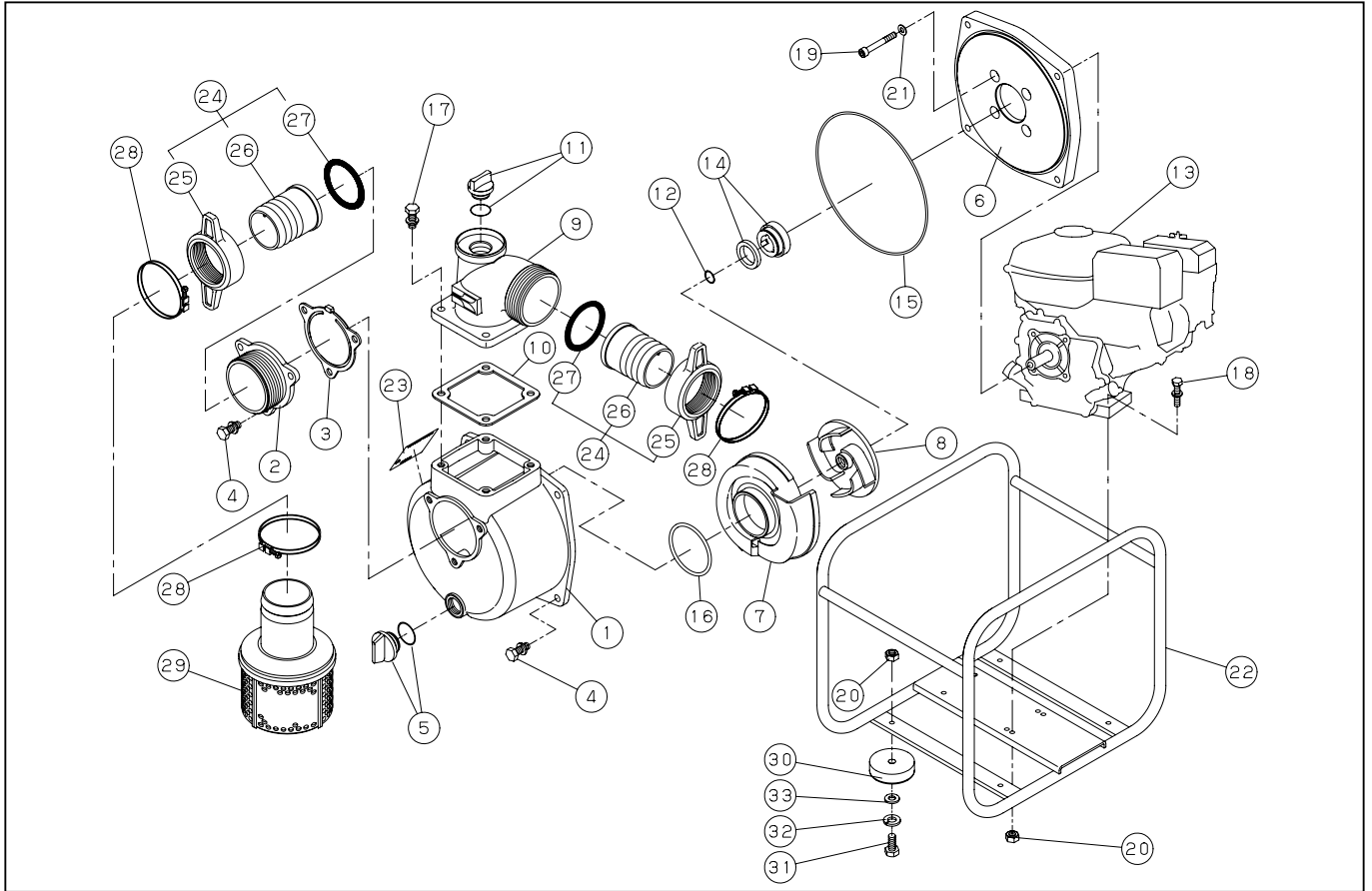


SEH-80X

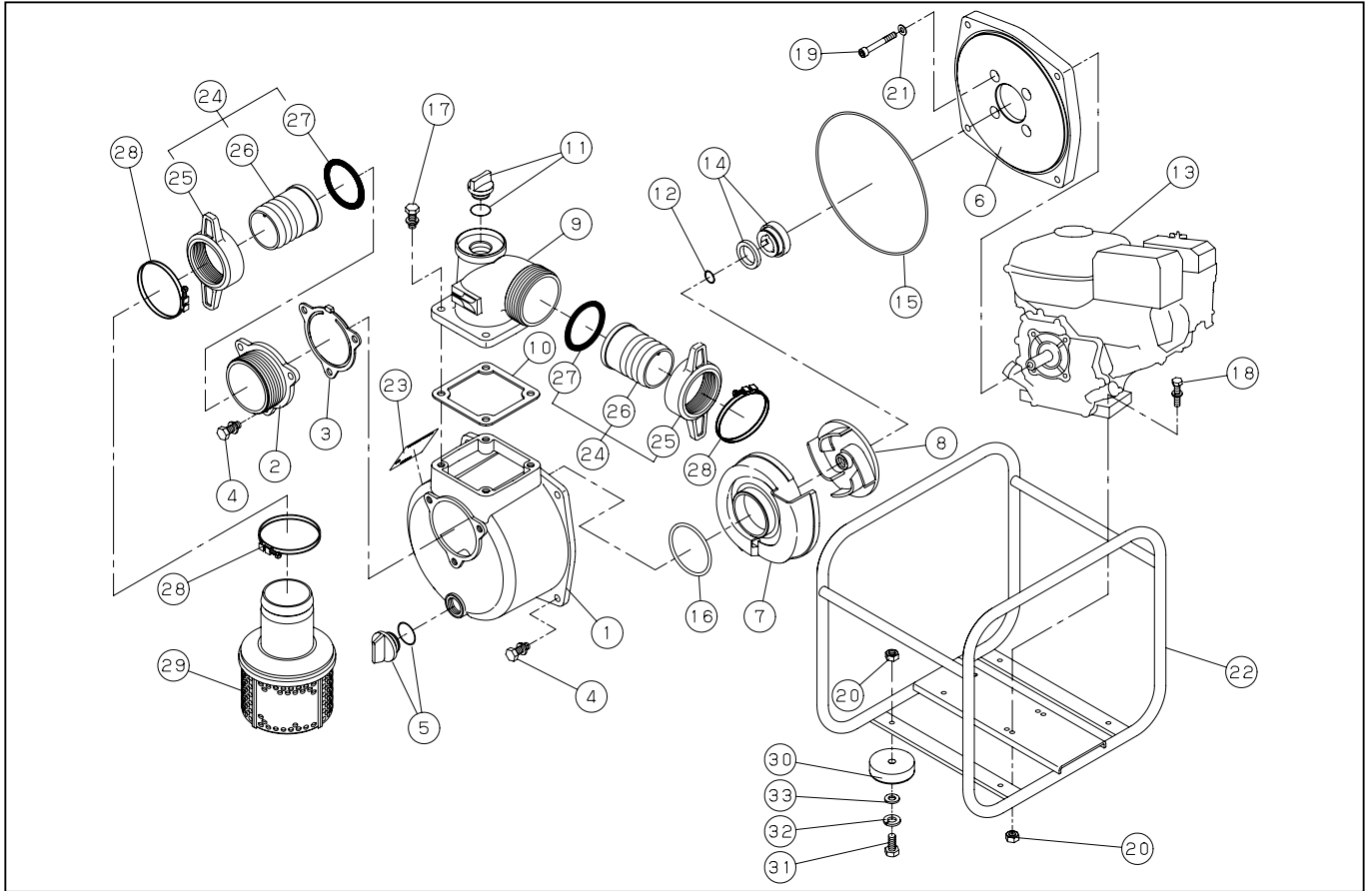


DWG No.066851806 MODEL:SEH-80X (GX160T1-WBT) FORM:SEH-80X-BDQ-0

No.	PARTS CODE	PARTS NAME	QTY	MATERIAL	SIZE	REMARKS
1	012019601	PUMP CASING	1	ADC		
2	011279701	SUCTION FLANGE	1	ADC		
3	011279901	CHECK VALVE	1	NBR		
4	743119061	HEXAGON BOLT	7	SWRM	M10X25	
5	011807802	20A PLUG SET	1			
6	011526902	FLANGE BRACKET	1	ADC		
7	011437902	VOLUTE CASING	1	FC-20		
8	011661702	IMPELLER	1			
9	011057003	DELIVERY FLANGE	1	ADC		
10	011058402	DELIVERY FLANGE PACKING	1	CR		
11	011807901	25A PLUG SET	1			
12	011551001	IMPELLER ADJUSTING WASHER	3	BSP		
13	011666101	ENGINE	1	HONDA GX160K1WBT		
14	011409001	MECHANICAL SEAL	1	EH790-020		
15	011501501	O-RING	1	NBR	1517-46.5	
16	011398901	O-RING	1	NBR	P74	
17	743119063	HEXAGON BOLT	4	SWRM	M10X30	
18	743119053	HEXAGON BOLT	4	SWRM	M8X40	
19	734532066	HEXAGON SOCKET BOLT	4	SCM	M8X25	
20	827419008	HEXAGON NUT	8	SWRM	M8	
21	854255008	SEAL WASHER	4		φ 8	
22	011796701	BASE SET	1	NO.394		
23	011677201	NAME PLATE	1			
24	011702802	COUPLING SET	2	ABS		
25	011437502	COUPLING	2	ABS		
26	011030105	HOSE NIPPLE	2	ABS		
27	011437801	COUPLING PACKING	2	NBR		
28	940019090	HOSE BAND	3		φ 90	
29	011819501	STRAINER SET	1	PP		
30	011051502	50L CUSHION RUBBER	4	F-23		

◆ Bare engine can not be supplied

SEH-80X



DWG No.066851806 MODEL:SEH-80X (GX160T1-WBT) FORM:SEH-80X-BDQ-0

No.	PARTS CODE	PARTS NAME	QTY	MATERIAL	SIZE	REMARKS
31	735719148	HEXAGON BOLT	4		M8X20	
32	843822008	SPRING WASHER	4		φ 8	
33	846007008	WASHER	4		φ 8	
	012024302	PACKING CASE	1			
	012047401	OPERATION MANUALL	1			
	012045902	SPECIFICATION SHEET	1			

◆ Bare engine can not be supplied